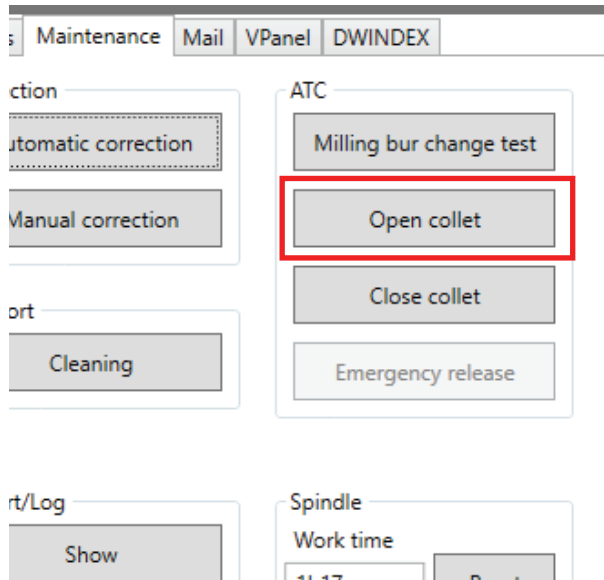


COLLET MAINTENANCE

The tool is easy to slip when the collet gets dirty.

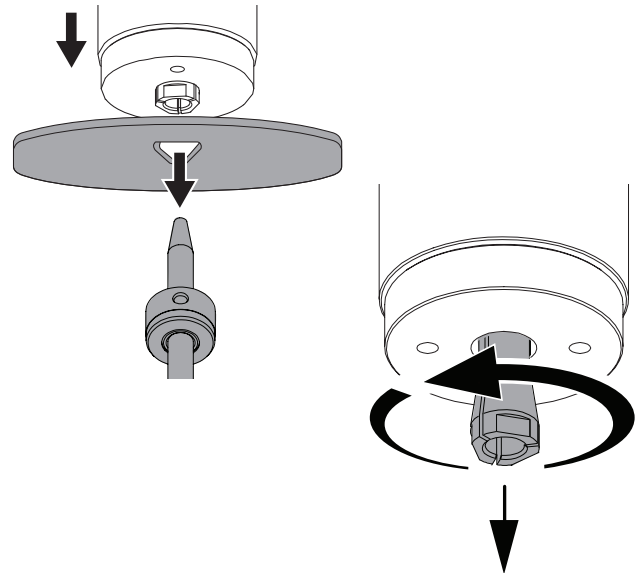
Performing periodic maintenance helps to keep the collet in a good condition

1



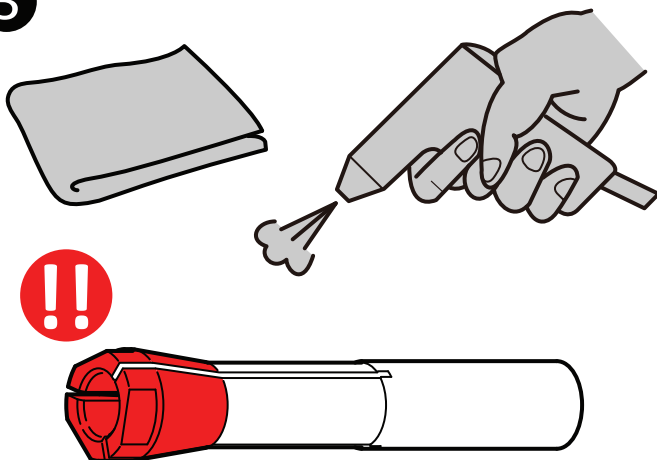
Open the collet.

2



Remove the collet using the bundled spanner and the detection pin.

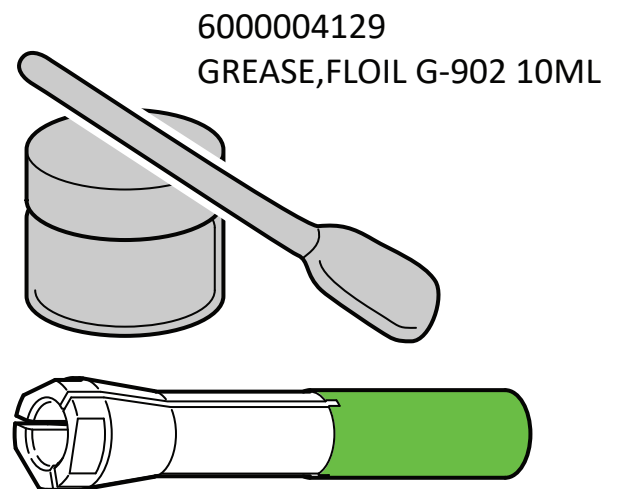
3



Clean up the inside and outside using a pneumatic blower and/or a rag.

!! DO NOT APPLY FORCE ON THE TIP. COLLET MAY BE BROKEN.

4



Apply a small amount of grease at the area in green to make very thin membrane.

Too much grease may come into the collet to cause tool slip.